

FREEMAN MARINE Model 1432 Euro Panel doors feature totally enclosed dogs for a smooth, uncluttered interior surface. When latched, dogs rotate from concealed apertures and cam followers engage strikers to create a secure knife-edged perimeter seal. Quick-Acting doors feature patented chain-drive, single actuation dogging. Euro Panel doors can be specified for watertight rated locations. A single piece gasket on the door panel's perimeter presses against a knife-edged jamb for a high compression, uniformly tight seal. Euro Panel doors feature thick panel skins, extra internal reinforcements, no exposed seams and all welded construction. When specified with yacht-quality paint to your color specifications, welded construction results in a smooth, seamless exterior that features long lasting beauty. Doors offer welded-in windows and can accommodate special glazing. 1432 Euro Panel doors are specified for:

- Transom • Bulkheads • Below Deck Compartments
- Engine Room • Main Deck



\*\* Degree of watertightness depends on number of dogs, proper installation and sealing adjustment. Watertight doors are individually defined, specified and fabricated for each application.

**EURO PANEL DESIGN FEATURES**

- Custom Sizing, width and height
- Smooth Interior Appearance, no exposed dogs
- Patented Chain Drive Quick-Acting Dogging
- Designed For Watertight Rated Locations\*\*
- .160" ~ .250" Thick Aluminum Panel Skins
- Welded Frame and Skin Construction
- Gasket on Door Panel for Long Life and Positive Sealing
- Radius or Mitered Corners
- Bolt-in, Weld-in or Clamp-in Frames
- Added Internal Stiffeners
- Yacht-Quality Painted Finish (avail)
- Single Actuation Handles, (wide selection avail)
- Glass Filled Striker Wedges
- Solid Insulation (opt materials avail)
- Surface Hinges
- Stainless Steel Fasteners
- Welded In Window, glazing and tint (opt avail)



Model 1432 concealed dogging



12" view port,  
Handwheel,  
Euro hinge,  
Front view



12" view port,  
Handwheel,  
Euro hinge,  
Inside view, Open

Euro panel,  
Concealed  
dog on  
striker



Euro hinge



Euro panel door,  
Interior view,  
Closed, Smooth,  
Stylish appearance



12" view port,  
Stainless wheel,  
Chain lock,  
Inside view



7" view port,  
Stainless wheel,  
Euro hinges,  
Chain lock, Engine access



1432 panels configured  
as 1600 Series French panels



Frame with flange on  
inside for interior mounting,  
Outward opening door



Custom knuckle  
Yoke hinges, Hold open  
Interior view



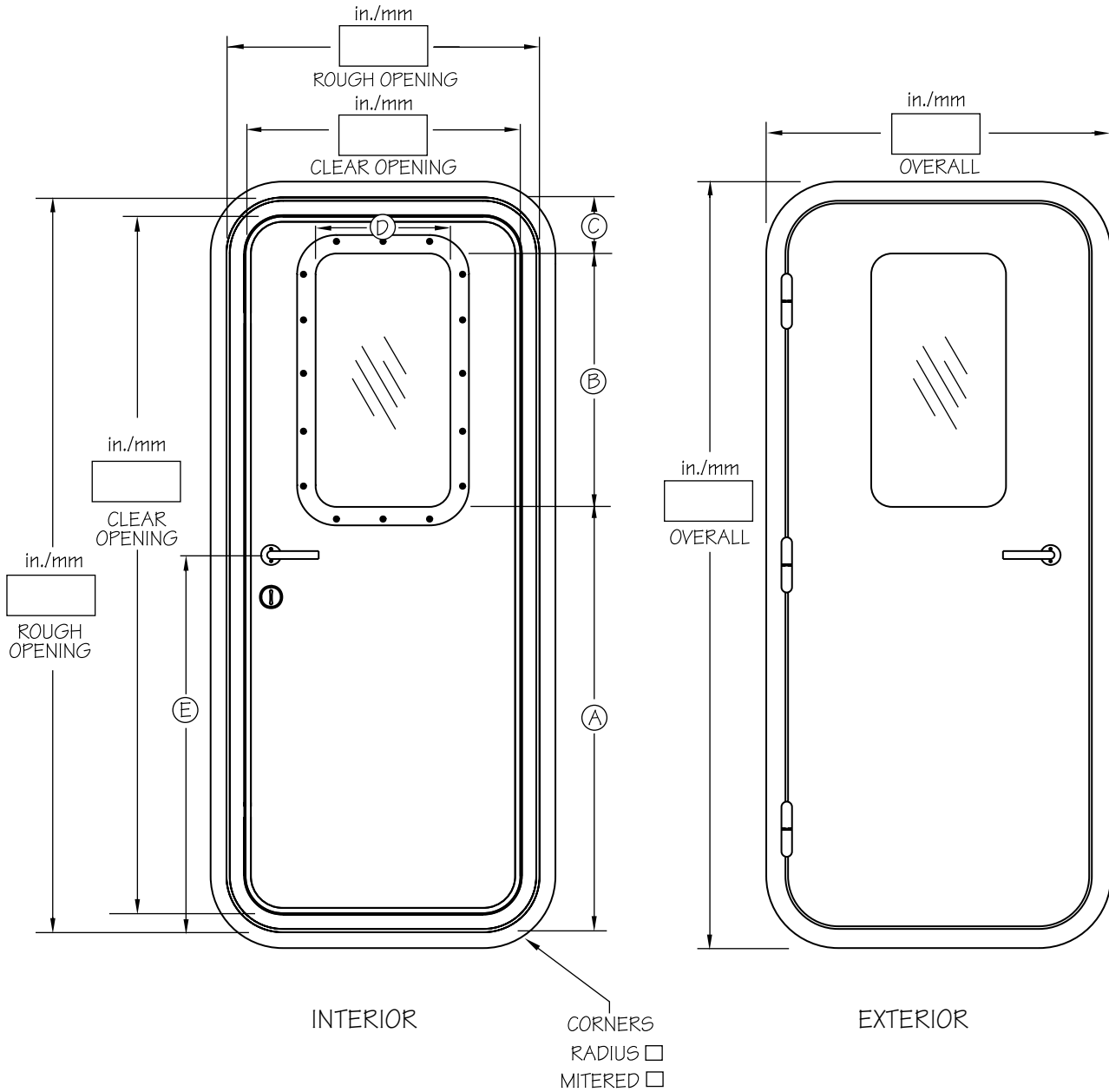
Custom knuckle,  
Flat disk handle,  
Flange over yoke hinges



1432 panels configured  
As 1600 Series,  
Bi-square actuated  
concealed dogs

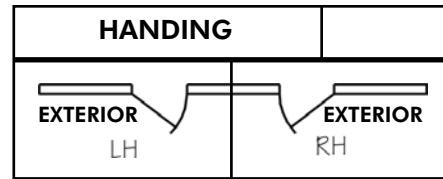


Euro panel doors with  
and without window



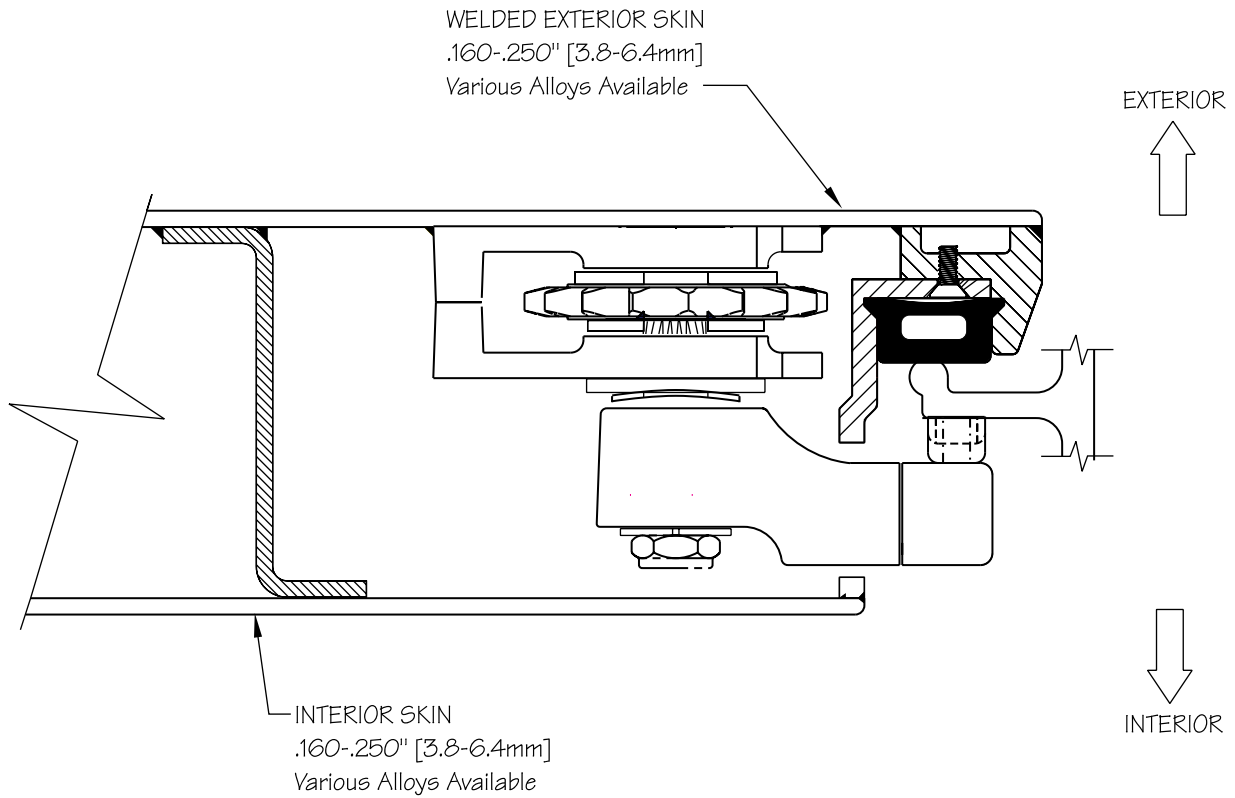
**LAYOUT  
MODEL 1432**

| inches |                   | mm | Dimensions For options                             |
|--------|-------------------|----|--|
| A      |                   |    | Bottom of Clear Glass to Bottom Rough Opening      |
| B      |                   |    | Clear Glass Height                                 |
| C      |                   |    | Top of Clear Glass to Top of Rough Opening, min 7" |
| D      |                   |    | Clear Glass Width, min side clearance 6"           |
| E      |                   |    | Handle/Lockset - C/L to Bottom Rough Opening       |
| F      | Locate on drawing |    | Quick-Acting Handle - Outside & Inside             |



|              |      |
|--------------|------|
| <b>Scale</b> | None |
|--------------|------|

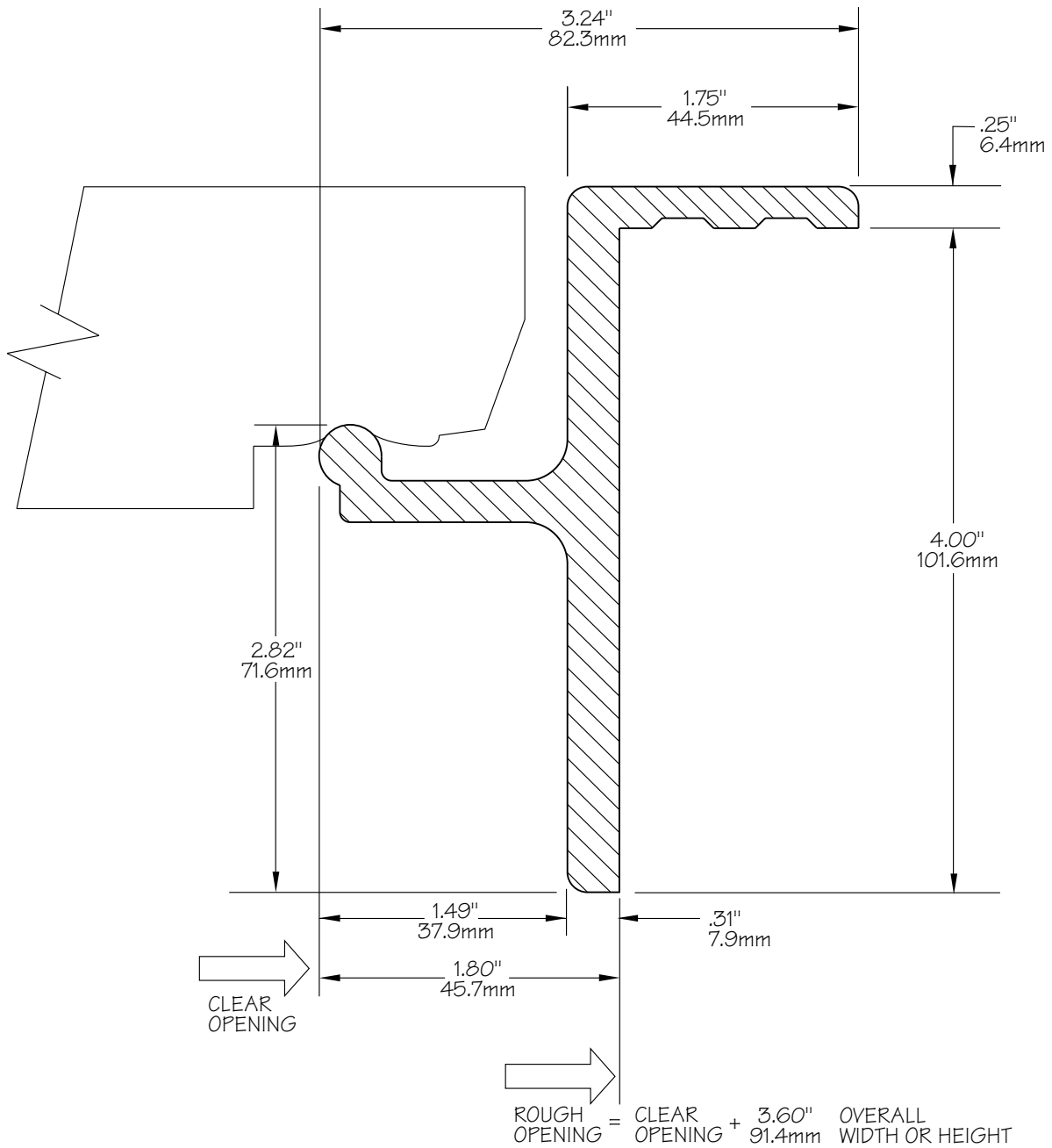
© ALL RIGHTS RESERVED  
2010 FREEMAN MARINE EQUIPMENT, INC.  
SPECIFICATIONS SUBJECT TO CHANGE WITHOUT NOTICE



**PANEL**

|   |            |
|---|------------|
| <b>Sealing Performance</b>  | Watertight |
| <b>Availability</b>   | 1432 Euro  |
| Degree of watertightness depends on panel and coaming construction, number of dogs, proper installation and sealing adjustment. Closures are individually defined, specified and fabricated for each application. |            |

© ALL RIGHTS RESERVED  
2010 FREEMAN MARINE EQUIPMENT, INC.  
SPECIFICATIONS SUBJECT TO CHANGE WITHOUT NOTICE



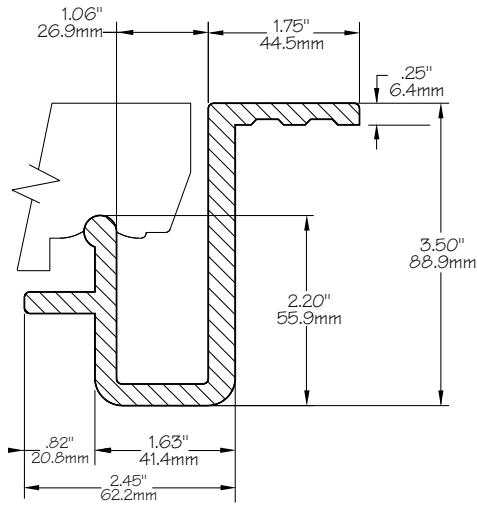
**0641-1016**

|                              |                             |
|------------------------------|-----------------------------|
| <b>Coaming Assembly No.</b>  | <b>0641-1016</b>            |
| <b>Gasket Seal Stop Type</b> | Knife-edge                  |
| <b>Coaming Material</b>      | Aluminum                    |
| <b>Coaming Configuration</b> | Extrusion w/ Shallow Gutter |
| <b>Stop Type</b>             | Fixed                       |

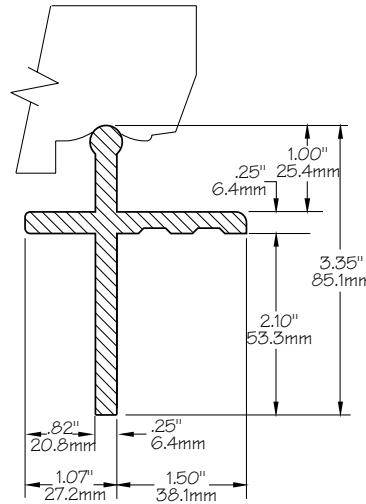
Degree of watertightness depends on panel and coaming construction, number of dogs, proper installation and sealing adjustment. Closures are individually defined, specified and fabricated for each application.

© ALL RIGHTS RESERVED  
2010 FREEMAN MARINE EQUIPMENT, INC.  
SPECIFICATIONS SUBJECT TO CHANGE WITHOUT NOTICE

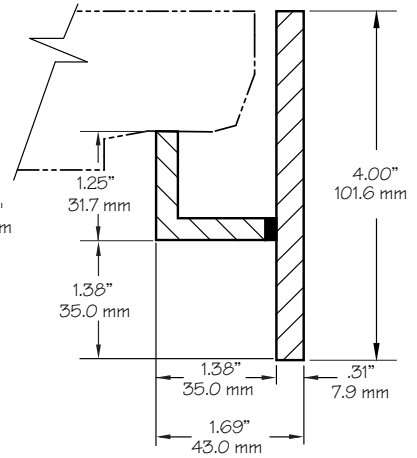
**COAMING**



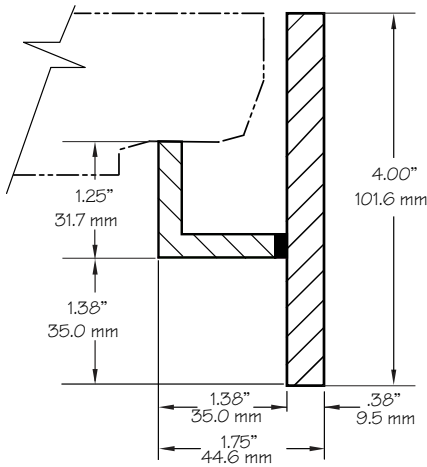
Aluminum - Custom Extrusion  
3.50" X 1.75", w/ Flange  
Deep Gutter - Fixed Knife-Edge  
**0641-1014**



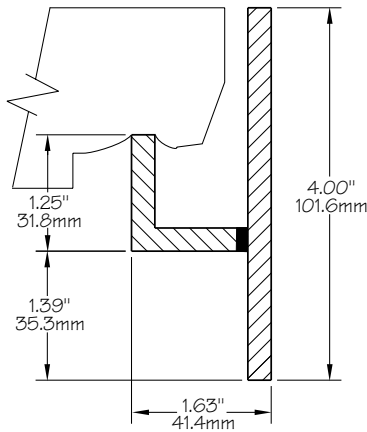
Aluminum - Extrusion Bulkhead Proud  
Fixed Knife-Edge  
**0641-1015**



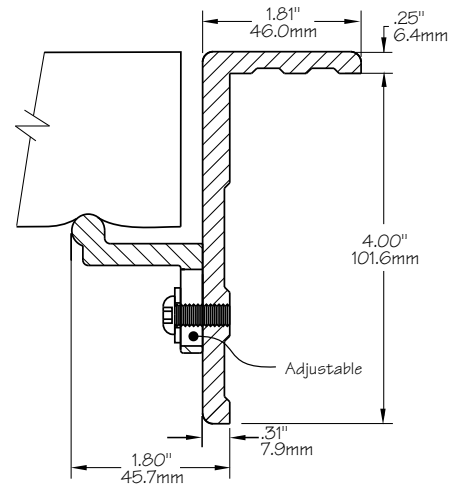
Steel - .31" Flat Bar w/ Weld-on Gutter  
Fixed Knife-Edge  
**0641-1049**



Steel - .38" Flat Bar w/ Weld-on Gutter  
Fixed Knife-Edge  
**0641-1039**



Stainless Steel - Angle/Channel  
Gutter - Fixed Knife-Edge  
**0641-1025**

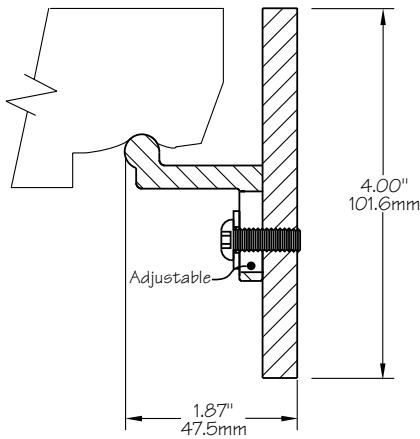


Aluminum - Angle Extrusion, 4.25" X 1.81", w/ Flange  
Stop - Adjustable, Knife-Edge  
**0641-1017**

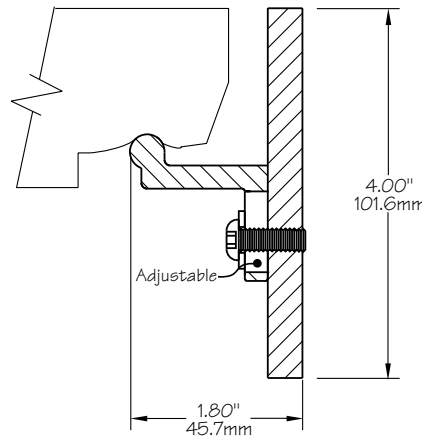
**COAMING**

Degree of watertightness depends on panel and coaming construction, number of dogs, proper installation and sealing adjustment. Closures are individually defined, specified and fabricated for each application.

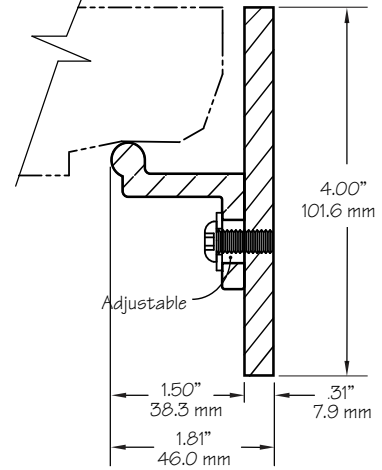
© ALL RIGHTS RESERVED  
2010 FREEMAN MARINE EQUIPMENT, INC.  
SPECIFICATIONS SUBJECT TO CHANGE WITHOUT NOTICE



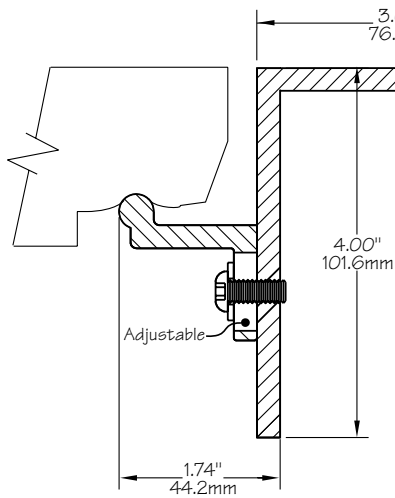
Aluminum - Flat Bar, 4.0" X .38", No Flange  
Stop - Adjustable, Knife-Edge  
**0641-1018**



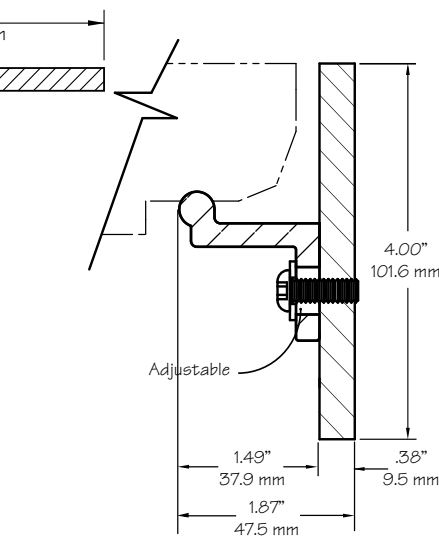
Steel - Flat Bar, 4.0" X .32", No Flange  
Stop - Adjustable, Knife-Edge  
**0641-1035**



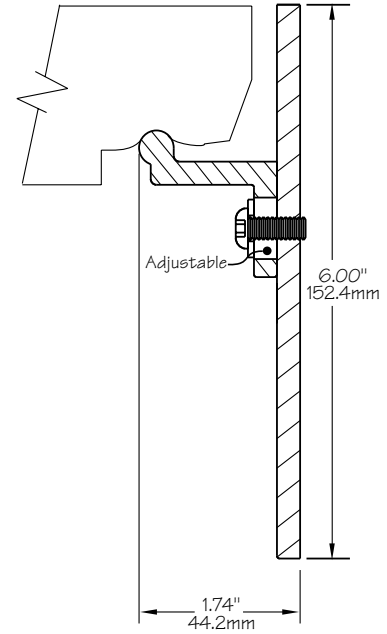
Steel - Flat Bar, 4.0" x .38", No Flange  
Stop - Adjustable, Knife-Edge  
**0641-1040**



Steel - Angle, 4.0" x 3" x .25", w/ Flange  
Stop - Adjustable, Knife-Edge  
**0641-1036**



Stainless Steel - Flat Bar, .38", No Flange  
Stop - Adjustable, Knife-Edge  
**0641-1042**



Stainless Steel - Flat Bar 6.0" X .25", No Flange  
Stop - Adjustable, Knife-Edge  
**0641-1027**

Degree of watertightness depends on panel and coaming construction, number of dogs, proper installation and sealing adjustment. Closures are individually defined, specified and fabricated for each application.

© ALL RIGHTS RESERVED  
2010 FREEMAN MARINE EQUIPMENT, INC.  
SPECIFICATIONS SUBJECT TO CHANGE WITHOUT NOTICE

**COAMING**