

FREEMAN MARINE custom fabricated Premium Duty hatches offer a wide range of options to meet virtually any specification. Rugged construction featuring thick panel skins (.160" up to .250"), internal reinforcements and smooth welded skins to assure the reliable service and refined appearance expected in FREEMAN fabricated individually dogged hatches. Premium Duty hatches are specified where frequent open position viewing and guest usage occurs. Hatches may be ordered with flush or proud - raised coamings. Camber and sheer requirements to match deck profiles are routinely crafted. Hatches can be specified with either surface or concealed hinges. Panels and coamings can be specified with custom alignment for teak overlaying by installation yard or builder.



3130, flush D-ring dogged handle, flush surface hinges



3130, escape hatch, lift-out, guide pins (interior view)

PREMIUM DUTY PANEL HATCH DESIGN FEATURES

- **Custom Shaped and Sized to Client Specifications**
- **Camber and Sheer to Match Decks** (available)
- **.160"~.250" Thick Aluminum Panel Skins**
- **Welded Frame and Skin Construction**
- **Knife-edge Sealing Method**
- **Wide Gasket for Aggressive, Tight Sealing**
- **Flush with Deck or Raised Coamings**
- **Bolt-in and Weld-in Coamings**
- **Cast, Precision Machined Handles, wide selection of styles and finishes**
- **Surface or Concealed Hinges**
- **Gas Spring Assist for Easy Lift and Closure**
- **Custom Drain Locations**
- **Teak Overlay Prep** (available)
- **Internal Panel Stiffeners**
- **Yacht-quality Painted Finish**
- **External Bi-square Opening** (available)
- **Stainless Steel Shafts and Fasteners**
- **Cast Dogs with Roller Bearing Cam Followers**
- **Glass Filled Striker Wedges**



Escape hatch lift-out, Exterior view



Escape hatch lift-out, Guide pins, Interior view



Two dog, Storage hatch



Two dog, Storage hatch, Open



Flush D-ring dogged handle, Flush surface hinges



Single dog, Single gas spring, Surface hinges



This 3130 custom deck hatch is prepped with raised surface hinges and bi-square for builder installed teak overlay.

Bi-square, Installed flush with teak deck



Bi-square, Polished, Raised for teak overlay



Flush D-ring dogged handle



Handle, Lever with flat/low profile



Flush surface hinge, Raised for teak overlay



Yoke hinge, With hold open, 3000 Series hatch

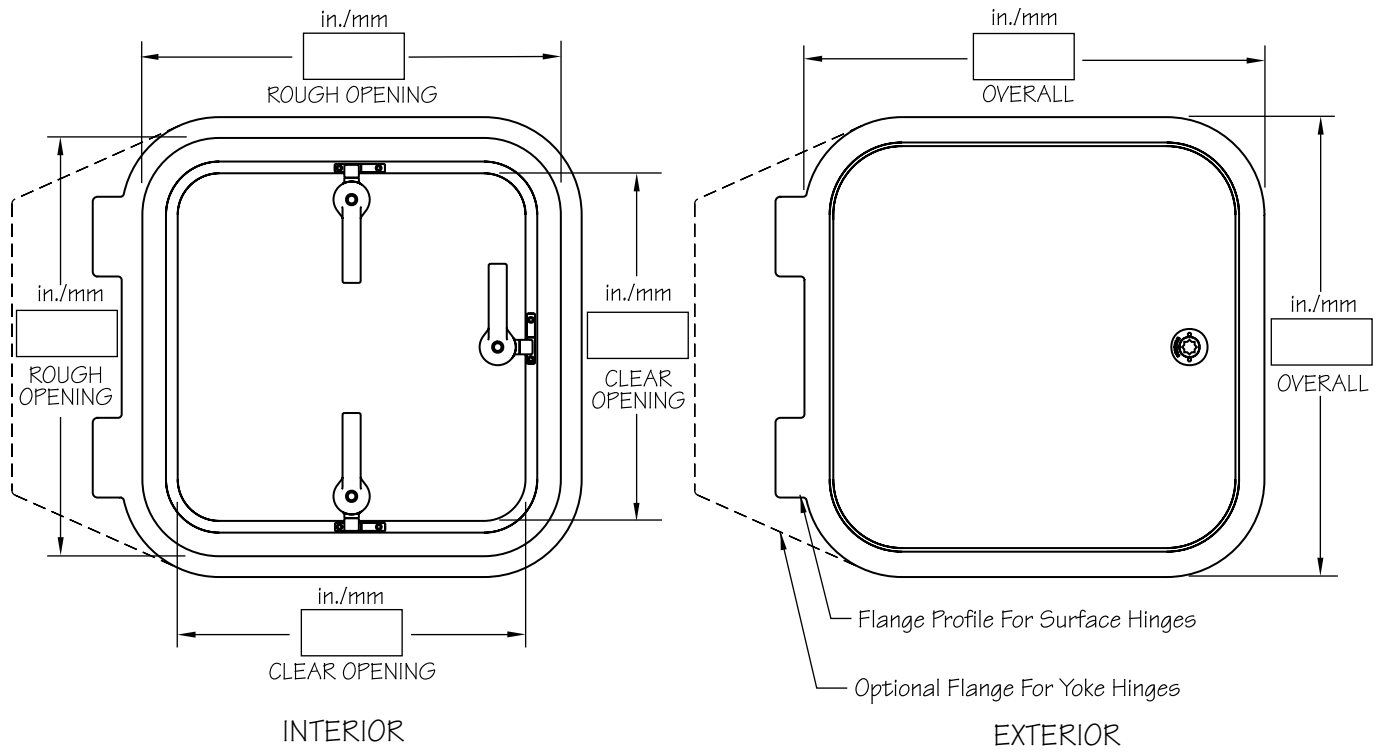


Drain bottom, 3000 Series hatch

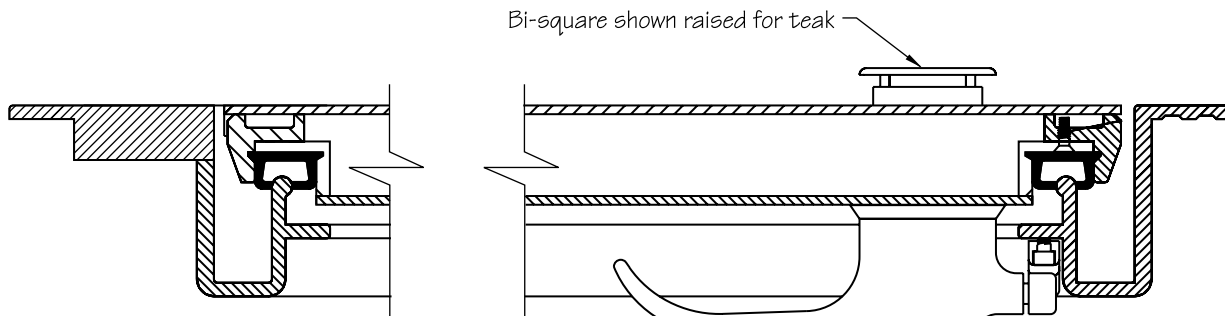


Drain side, 3000 Series hatch



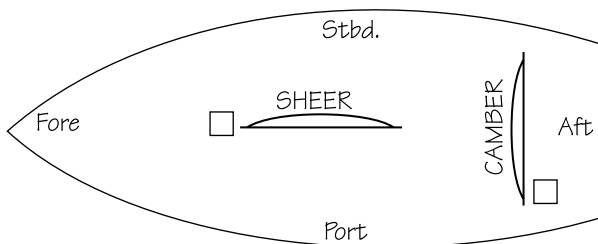


LAYOUT
MODEL 3130

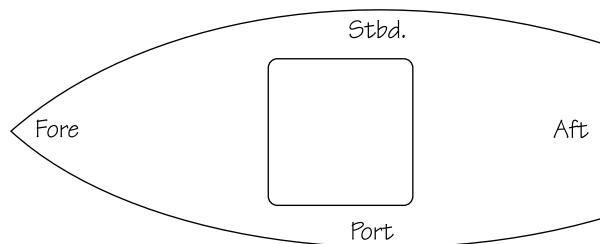


Hinges - specified separately
Gas springs - specified separately

CAMBER and SHEER DIRECTION



HINGE and DRAIN LOCATION

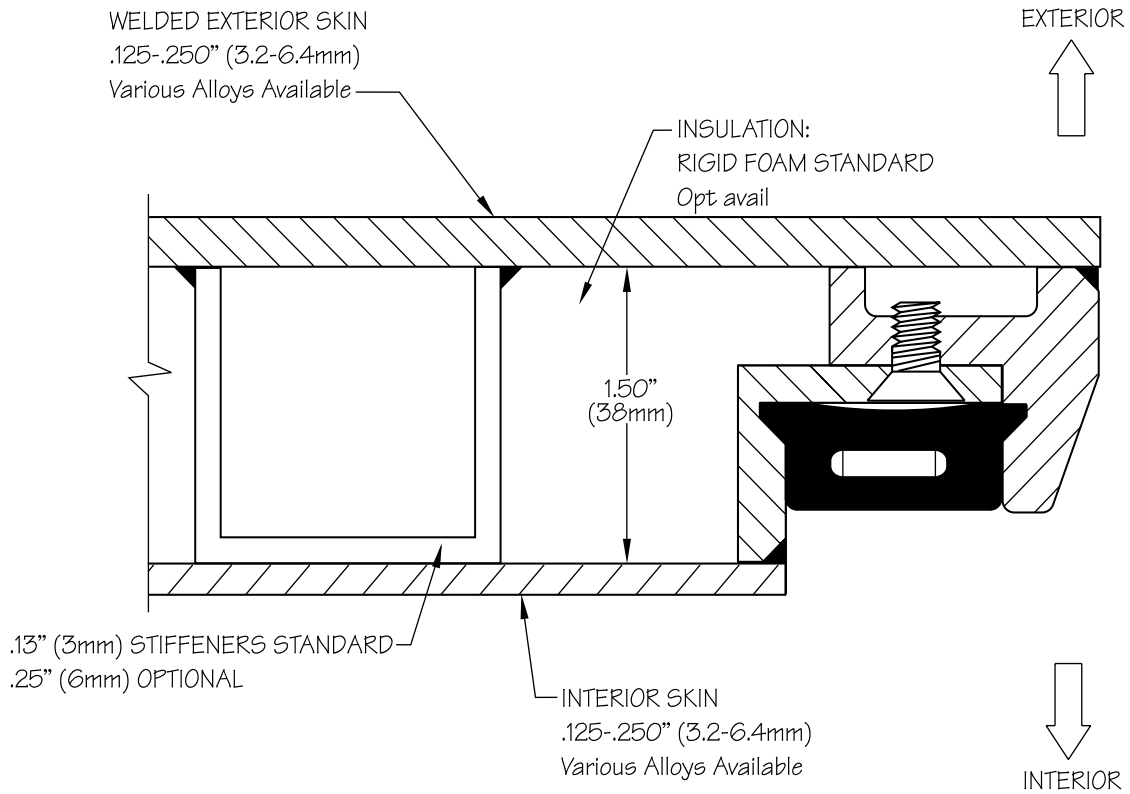
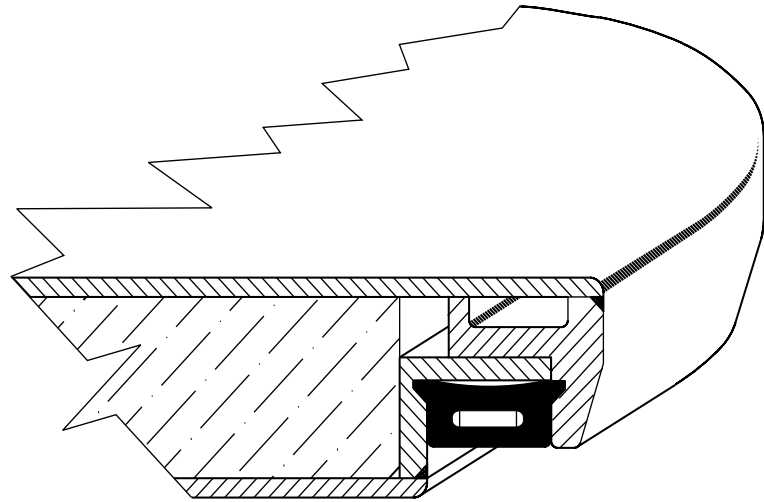


☐=Hinge ⊗=Drain

Scale	None
Hinge	Surface
Handle	Bi-square

Note: Hatch shown with 0641-1014 coaming

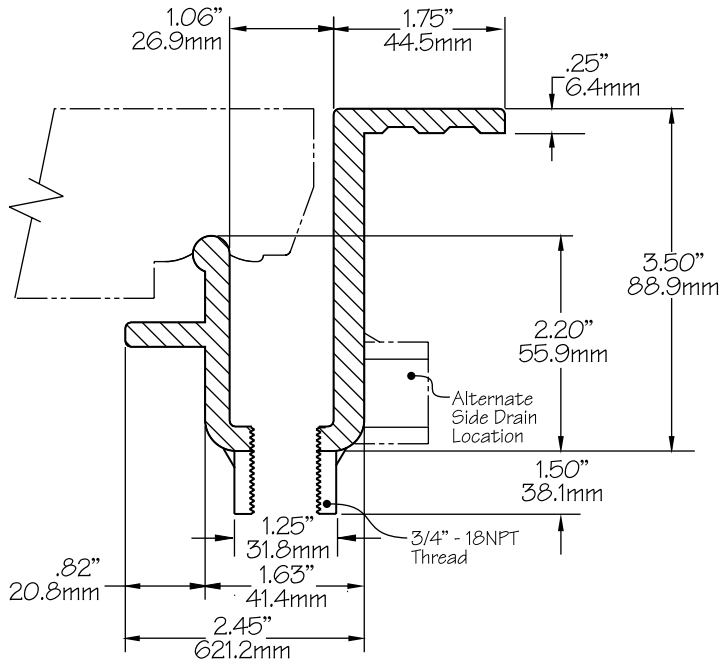
© ALL RIGHTS RESERVED
2010 FREEMAN MARINE EQUIPMENT, INC.
SPECIFICATIONS SUBJECT TO CHANGE WITHOUT NOTICE



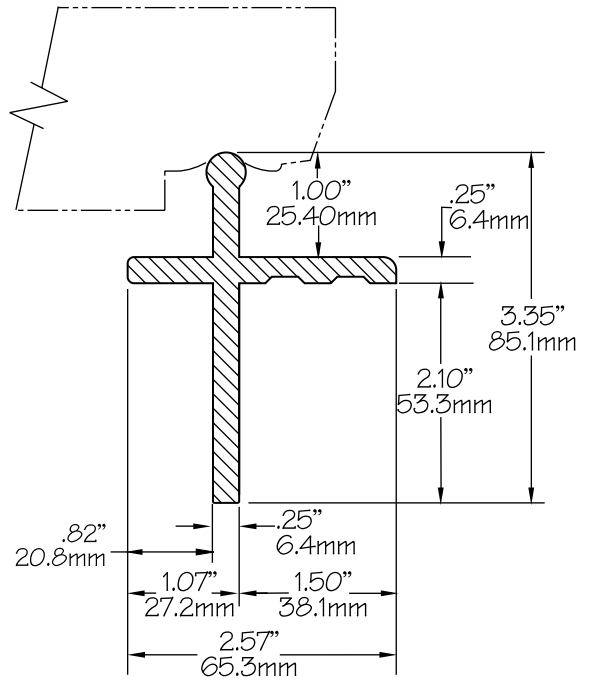
PANEL

Sealing Performance	Watertight
Availability	3130 Individual 3430 Quick-Acting
Degree of watertightness depends on panel and coaming construction, number of dogs, proper installation and sealing adjustment. Closures are individually defined, specified and fabricated for each application.	

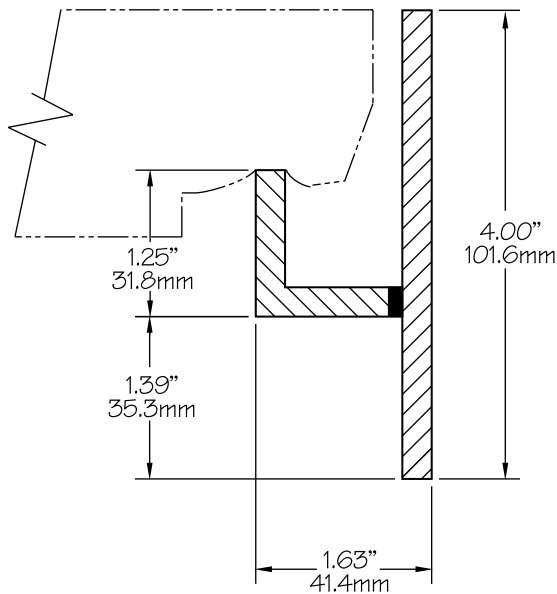
© ALL RIGHTS RESERVED
2010 FREEMAN MARINE EQUIPMENT, INC.
SPECIFICATIONS SUBJECT TO CHANGE WITHOUT NOTICE



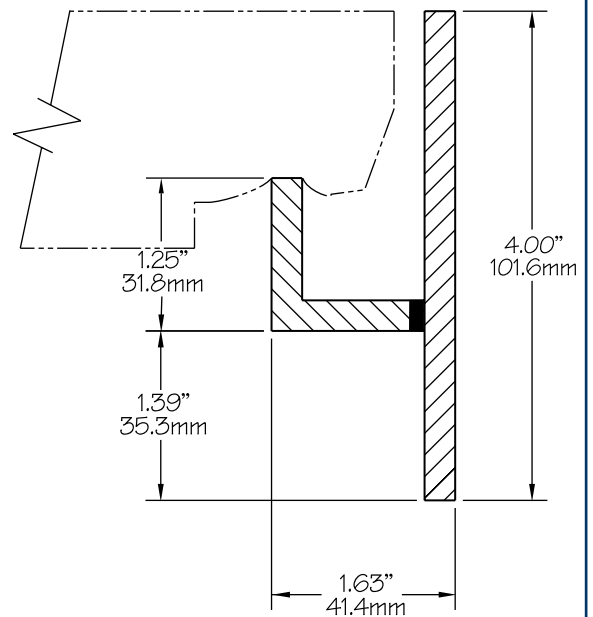
Aluminum - Deep Gutter
0641-1014



Aluminum - Raised
0641-1015



Steel - Deep Gutter
0641-1034



Stainless Steel - Deep Gutter
0641-1025

COAMING

Degree of watertightness depends on panel and coaming construction, number of dogs, proper installation and sealing adjustment. Closures are individually defined, specified and fabricated for each application.

© ALL RIGHTS RESERVED
2010 FREEMAN MARINE EQUIPMENT, INC.
SPECIFICATIONS SUBJECT TO CHANGE WITHOUT NOTICE