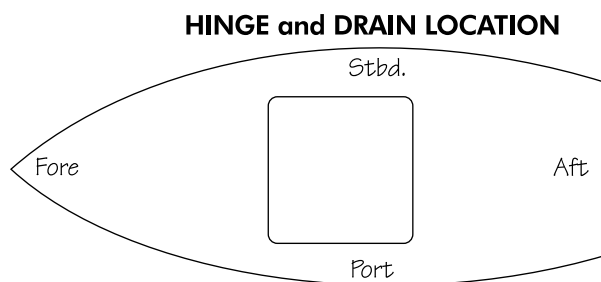
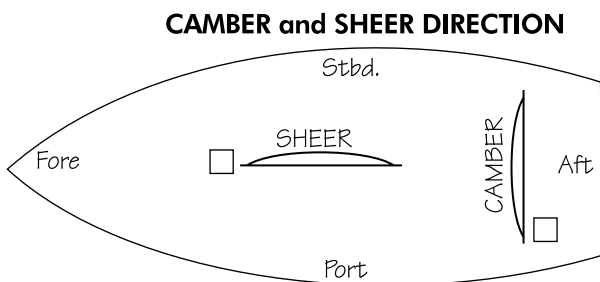


Hinges - specified separately
Gas springs - specified separately

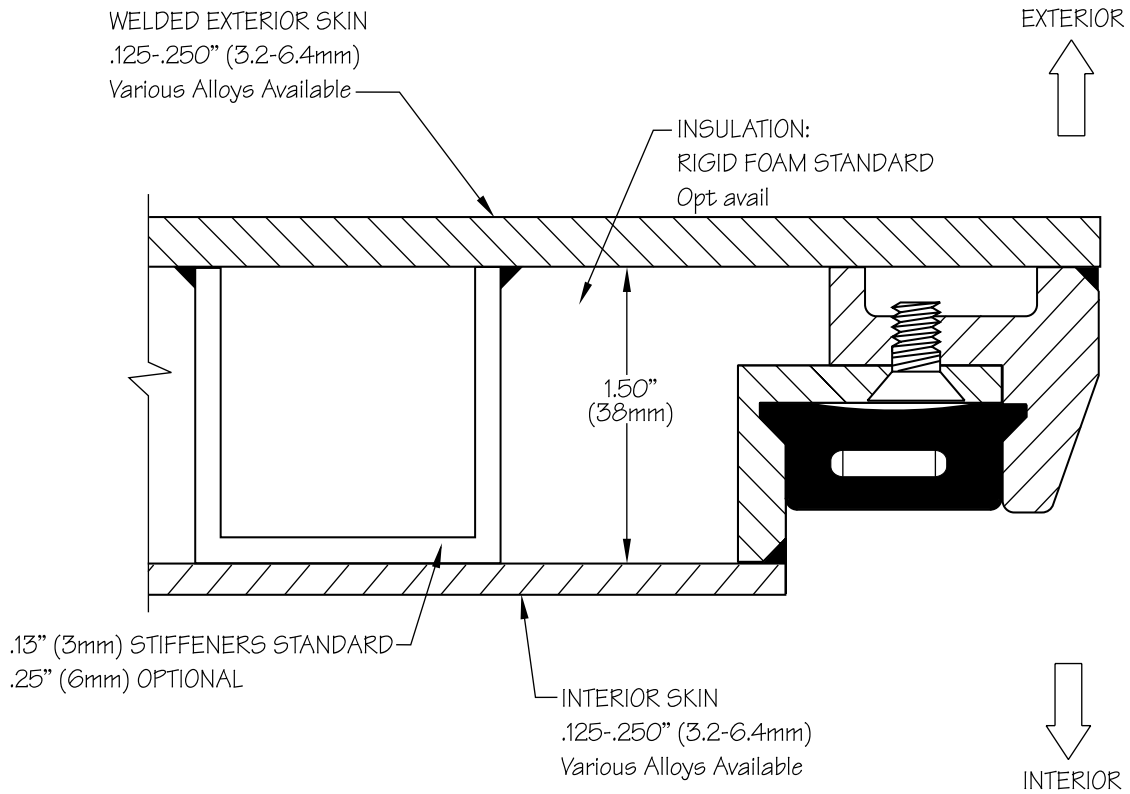
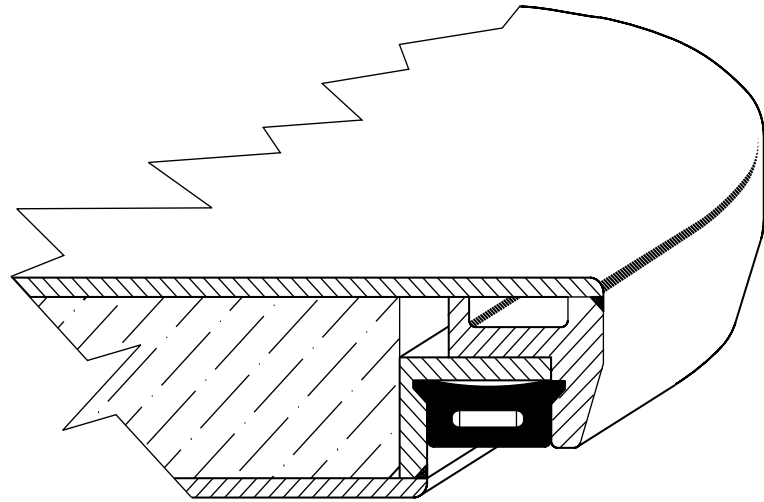


☐=Hinge ⊗=Drain

Scale	None
Hinge	Surface
Handle	Bi-square

Note: Hatch shown with 0641-1014 coaming

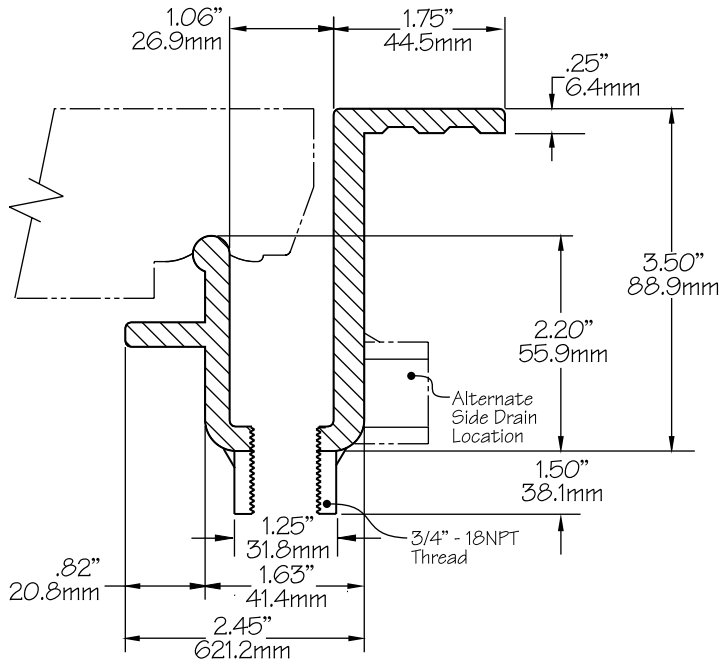
© ALL RIGHTS RESERVED
2010 FREEMAN MARINE EQUIPMENT, INC.
SPECIFICATIONS SUBJECT TO CHANGE WITHOUT NOTICE



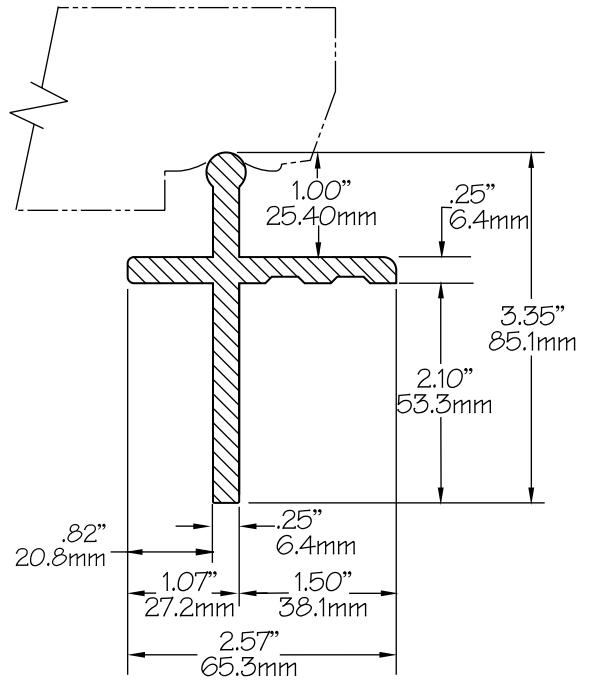
PANEL

Sealing Performance	Watertight
Availability	3130 Individual 3430 Quick-Acting
Degree of watertightness depends on panel and coaming construction, number of dogs, proper installation and sealing adjustment. Closures are individually defined, specified and fabricated for each application.	

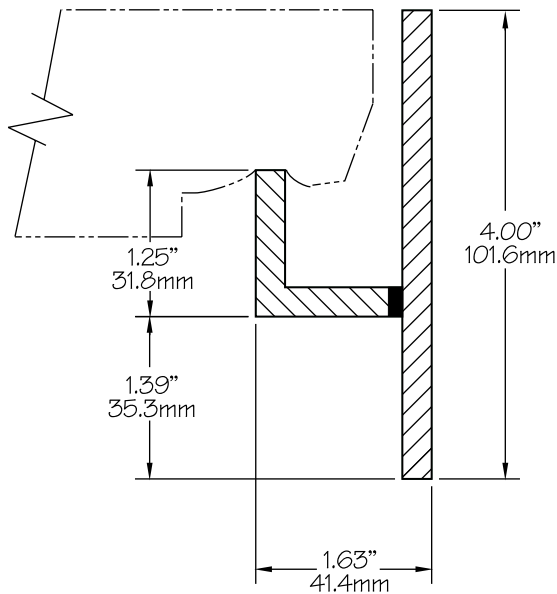
© ALL RIGHTS RESERVED
2010 FREEMAN MARINE EQUIPMENT, INC.
SPECIFICATIONS SUBJECT TO CHANGE WITHOUT NOTICE



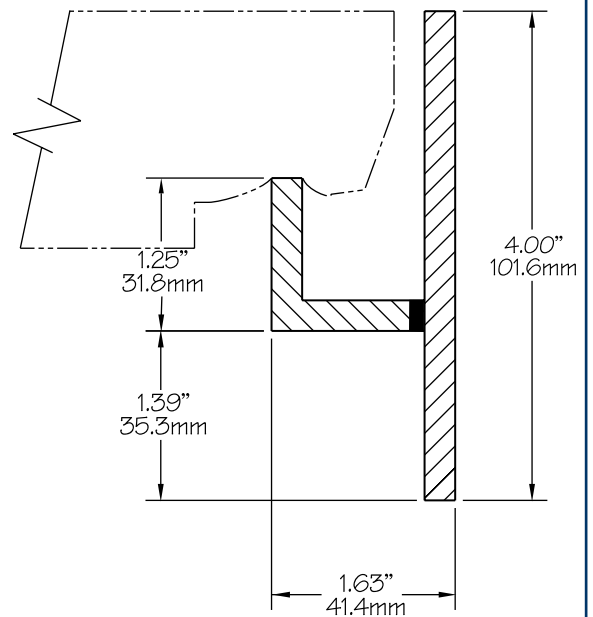
Aluminum - Deep Gutter
0641-1014



Aluminum - Raised
0641-1015



Steel - Deep Gutter
0641-1034



Stainless Steel - Deep Gutter
0641-1025

COAMING

Degree of watertightness depends on panel and coaming construction, number of dogs, proper installation and sealing adjustment. Closures are individually defined, specified and fabricated for each application.

© ALL RIGHTS RESERVED
2010 FREEMAN MARINE EQUIPMENT, INC.
SPECIFICATIONS SUBJECT TO CHANGE WITHOUT NOTICE