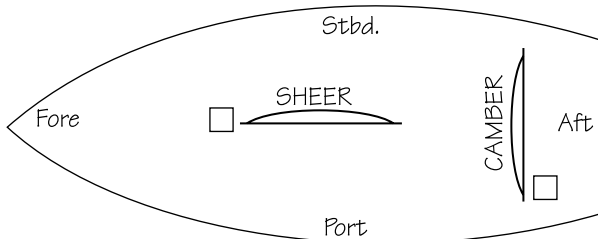
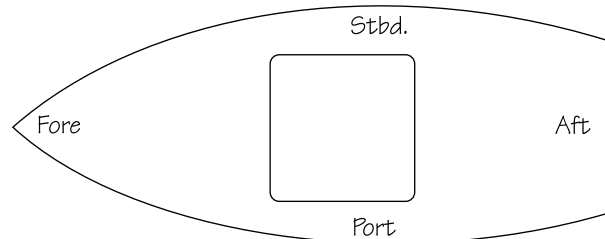


CAMBER and SHEER DIRECTION



HINGE and DRAIN LOCATION

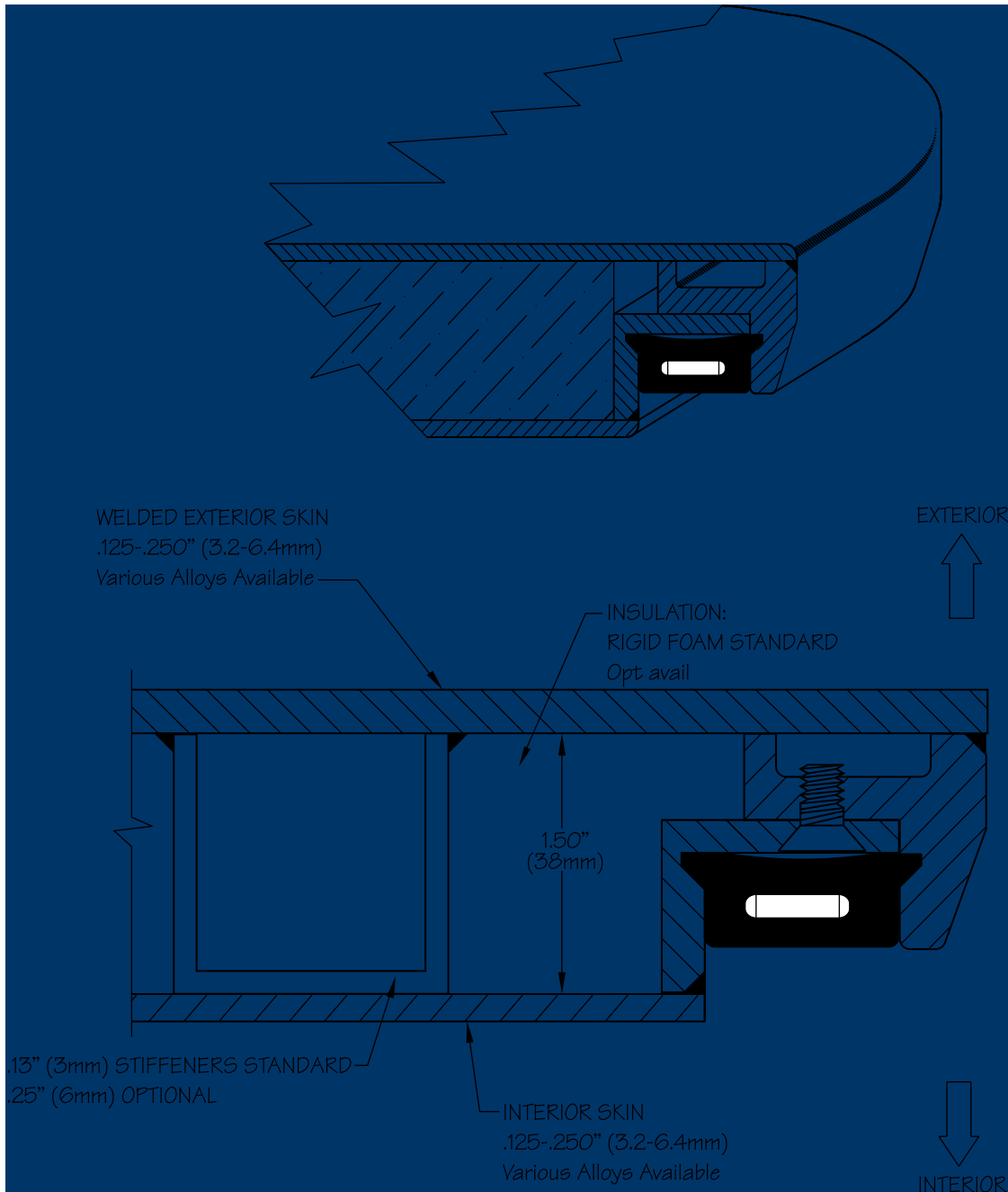


Scale	None
Hinge	Yoke
Handle	Bi-square

Note: Hatch shown with 0641-1014 coaming

© ALL RIGHTS RESERVED
2010 FREEMAN MARINE EQUIPMENT, INC.
SPECIFICATIONS SUBJECT TO CHANGE WITHOUT NOTICE

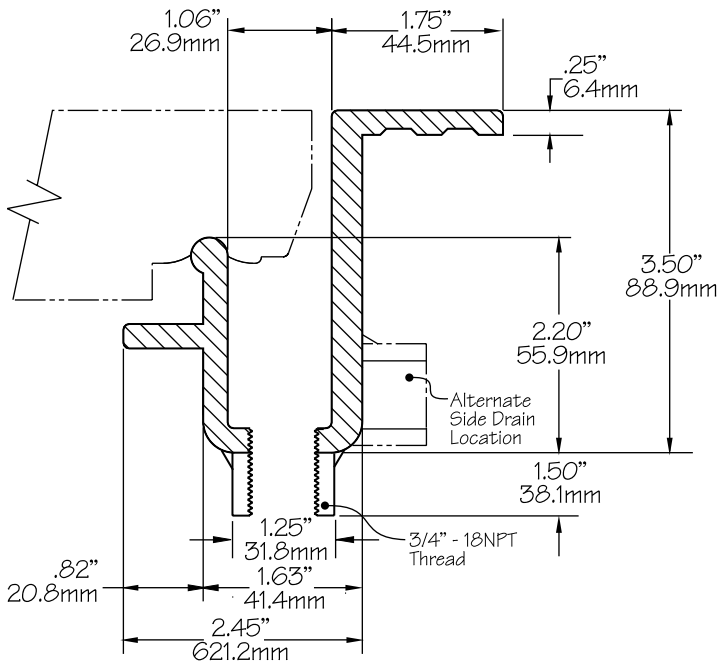
LAYOUT
MODEL 3430



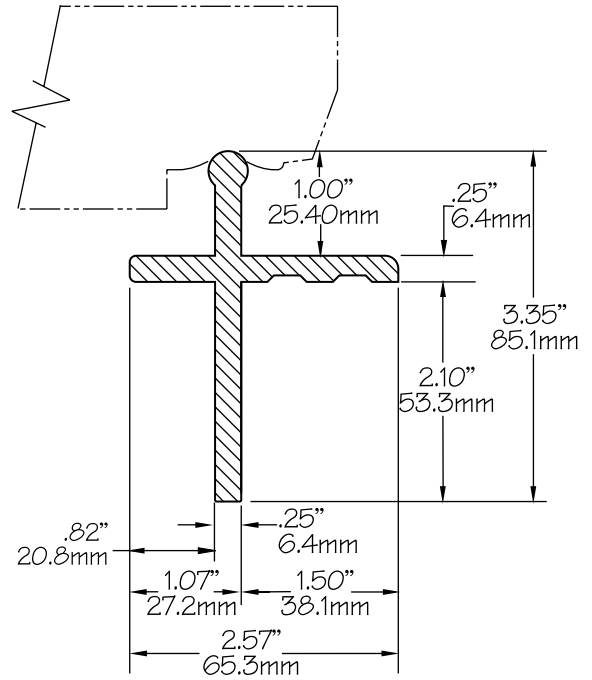
PANEL

Sealing Performance	Watertight	
Availability	3130 Individual	3430 Quick-Acting
Degree of watertightness depends on panel and coaming construction, number of dogs, proper installation and sealing adjustment. Closures are individually defined, specified and fabricated for each application.		

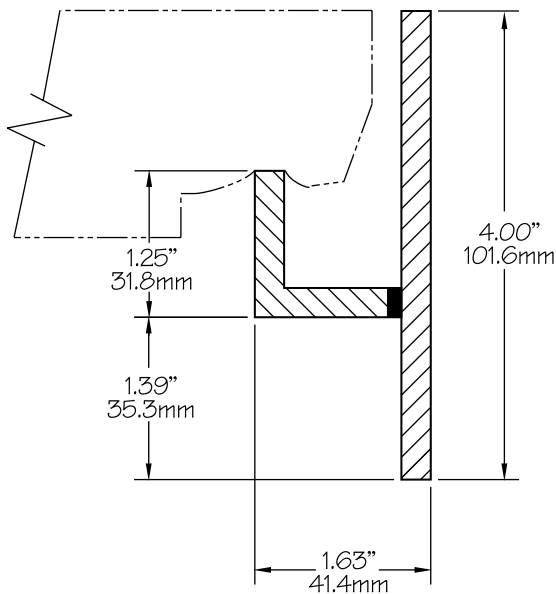
© ALL RIGHTS RESERVED
2010 FREEMAN MARINE EQUIPMENT, INC.
SPECIFICATIONS SUBJECT TO CHANGE WITHOUT NOTICE



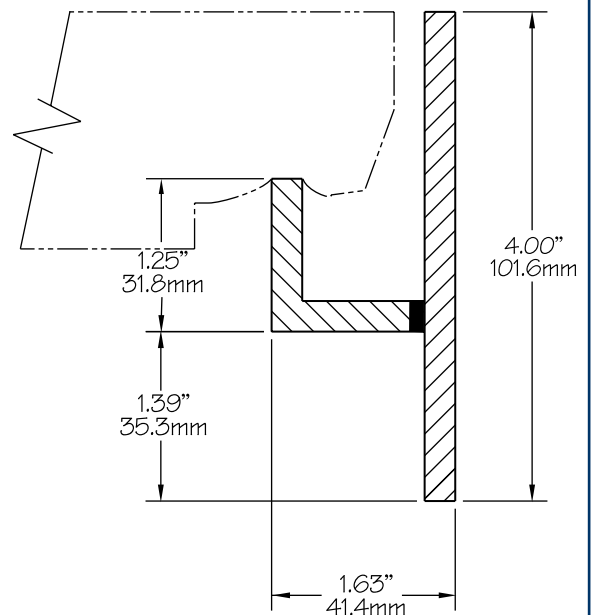
Aluminum - Deep Gutter
0641-1014



Aluminum - Raised
0641-1015



Steel - Deep Gutter
0641-1034



Stainless Steel - Deep Gutter
0641-1025

Degree of watertightness depends on panel and coaming construction, number of dogs, proper installation and sealing adjustment. Closures are individually defined, specified and fabricated for each application.

© ALL RIGHTS RESERVED
2010 FREEMAN MARINE EQUIPMENT, INC.
SPECIFICATIONS SUBJECT TO CHANGE WITHOUT NOTICE

COAMING