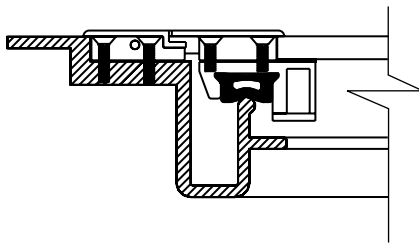
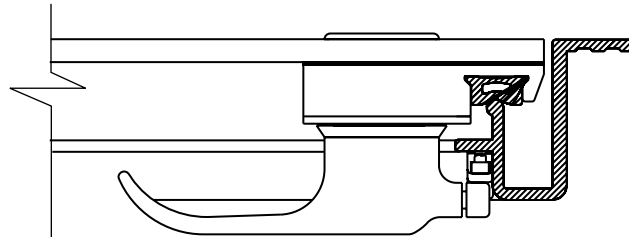


EXTERIOR

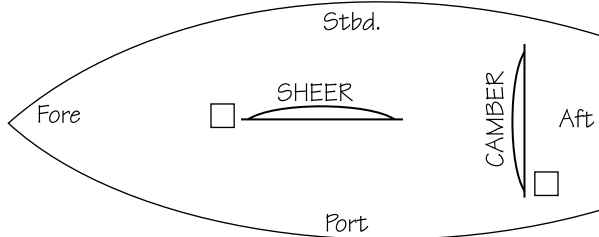


Hinge Detail

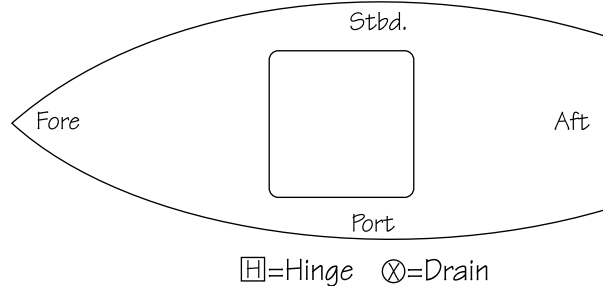


Bi-Square Detail

CAMBER and SHEER DIRECTION



HINGE and DRAIN LOCATION

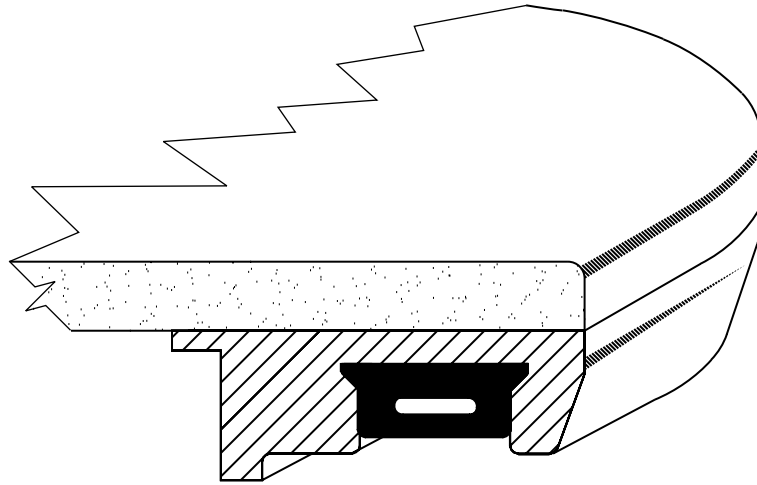


Scale	None
Hinge	Surface
Handle	Bi-square

Note: Hatch shown with 0641-1014 coaming

© ALL RIGHTS RESERVED
2010 FREEMAN MARINE EQUIPMENT, INC.
SPECIFICATIONS SUBJECT TO CHANGE WITHOUT NOTICE

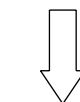
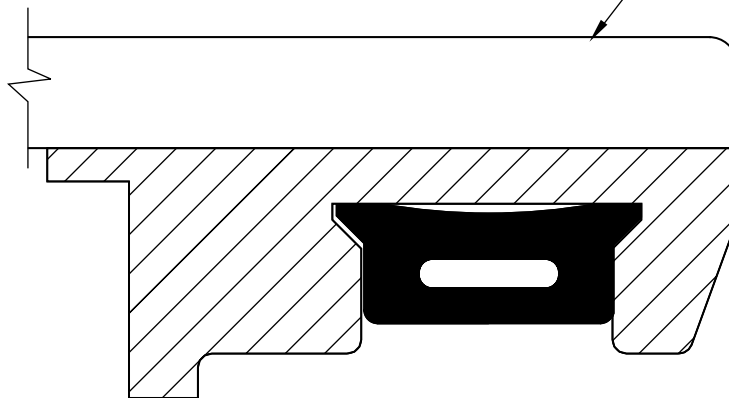
**LAYOUT
MODEL 3450**



EXTERIOR



LENS - ACRYLIC
TEMPERED GLASS
VARIOUS TINTS

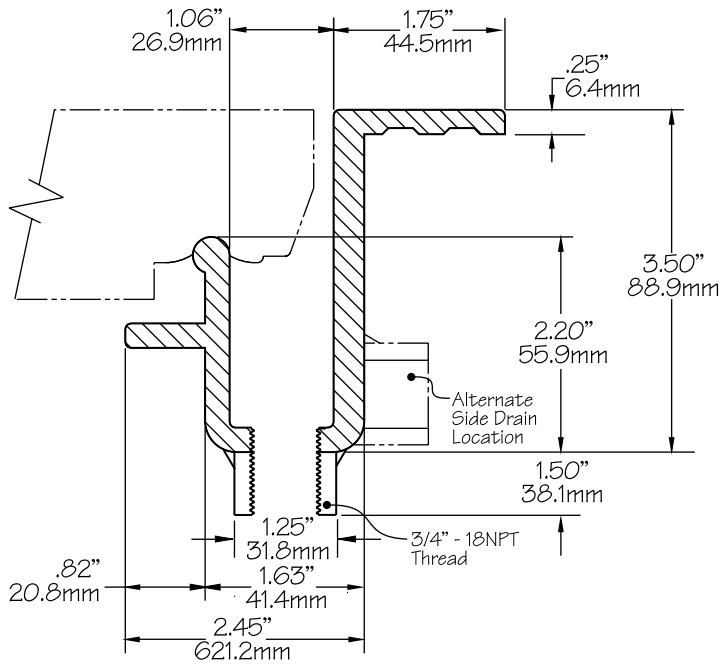


INTERIOR

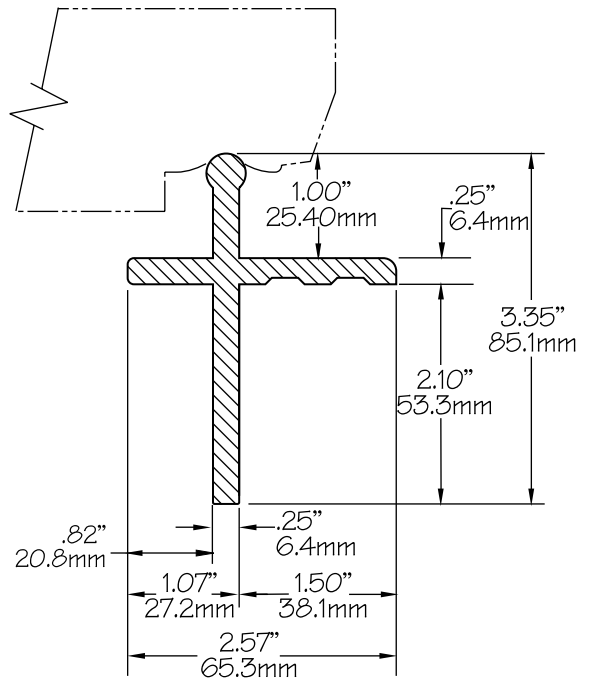
PANEL

Sealing Performance	Watertight
Availability	3450 Lens
Degree of watertightness depends on panel and coaming construction, number of dogs, proper installation and sealing adjustment. Closures are individually defined, specified and fabricated for each application.	

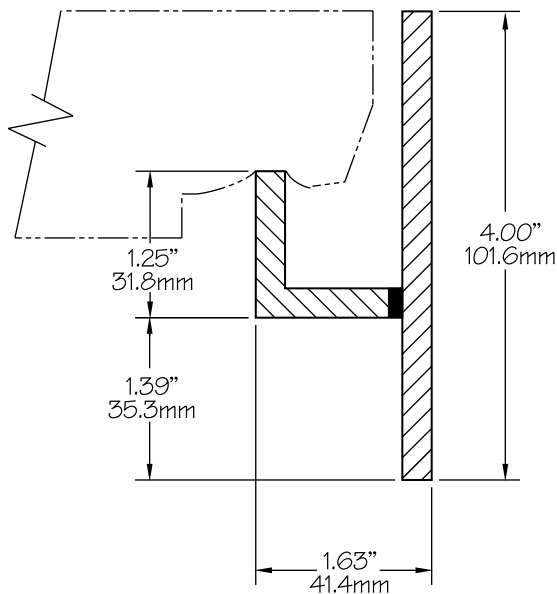
© ALL RIGHTS RESERVED
2010 FREEMAN MARINE EQUIPMENT, INC.
SPECIFICATIONS SUBJECT TO CHANGE WITHOUT NOTICE



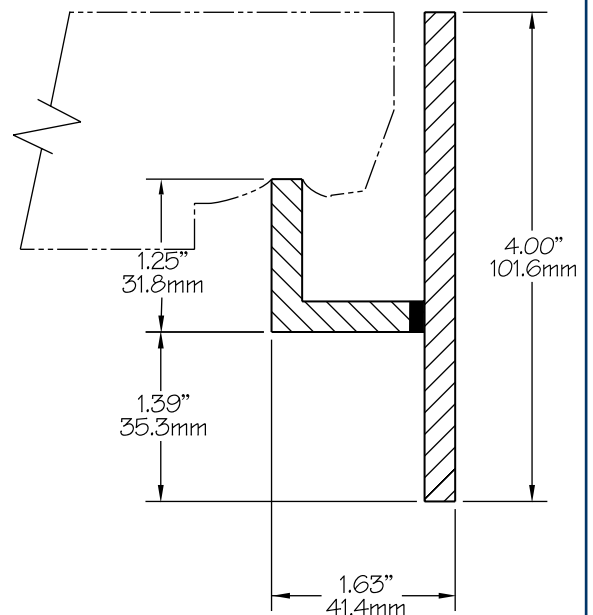
Aluminum - Deep Gutter
0641-1014



Aluminum - Raised
0641-1015



Steel - Deep Gutter
0641-1034



Stainless Steel - Deep Gutter
0641-1025

COAMING

Degree of watertightness depends on panel and coaming construction, number of dogs, proper installation and sealing adjustment. Closures are individually defined, specified and fabricated for each application.

© ALL RIGHTS RESERVED
2010 FREEMAN MARINE EQUIPMENT, INC.
SPECIFICATIONS SUBJECT TO CHANGE WITHOUT NOTICE